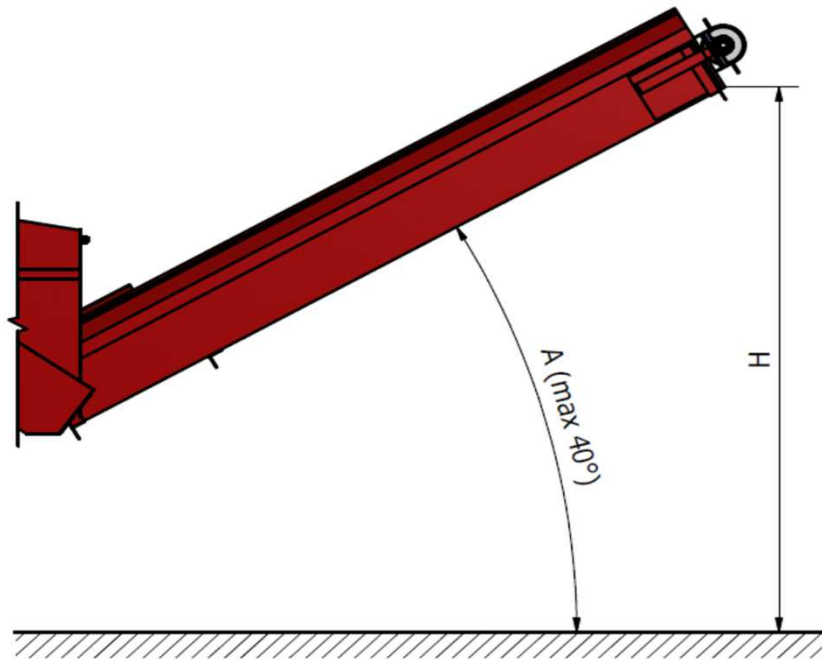


# Height of end of the conveyor



type of branch logger	type of conveyor	H [cm]	
		A = 30°	A = 40°
TR70	2,1 m side - driven by a hydraulic motor with rotation speed control	183	213
	2,6 m side - driven by a hydraulic motor with rotation speed control	208	245
	2,6 m back - driven by a hydraulic motor with rotation speed control	212	249
TR75	2,1 m side - belt driven	170	200
	2,6 m side - belt driven	195	232
TR110	2,6 m side - belt driven	185	222
	2,6 m back - driven by a hydraulic motor with rotation speed control	185	222
	4,1 m side (folding) - belt driven	260	318
	4,1 m back (folding) - driven by a hydraulic motor with rotation speed control	260	318
EM70, SM70 SMV70, SMH70	2,1 m - belt driven	166	196
	2,6 m - belt driven	191	228
EM110	2,6 m - belt driven	185	222
	4,1 m back (folding) - belt driven	260	318
SMH110	2,6 m - belt driven	200	237
	4,1 m back (folding) - belt driven	275	333
EM110	2,6 m - belt driven	185	222
	4,1 m back (folding) - belt driven	275	333